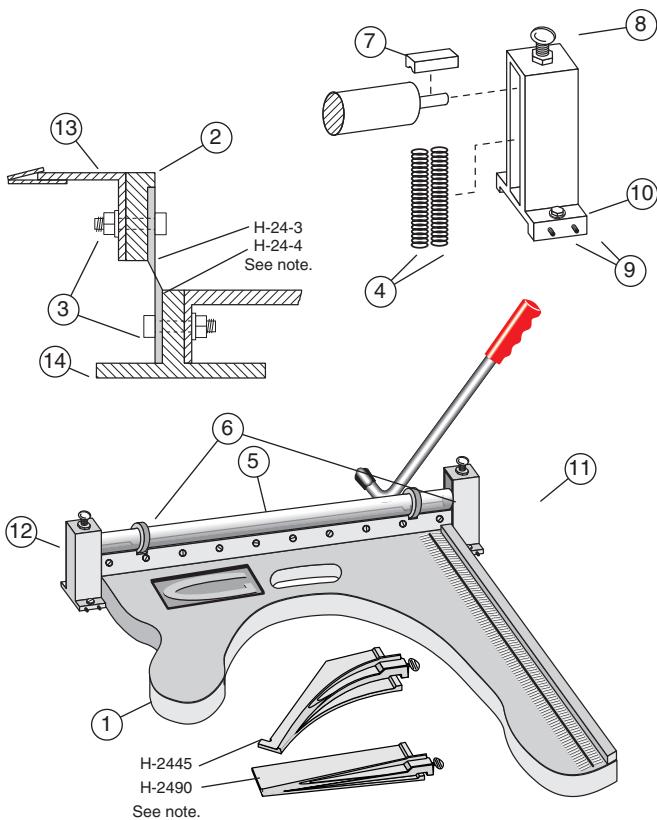


No. H-24 24" Tile Cutter



Key	Item Number	Qty. Used	Description
1	H-24-07	1	Base Casting
2	H-24-09	1	Upper Blade Bar
3	H-24-10	20	Blade Holding Screw Assembly (Includes Socket Head Screw, Flat Washer, Split Lock Washer, and Jam Nut)
4	H-24-12	4	Coil Spring
5	H-24-13	1	Crankshaft and Handle with Grips
6	H-24-14	2	Crankshaft Ball Bearing
7	H-24-15	2	Crankshaft Cam Bearing
8	H-24-16	2	Thumb Screw with Nut
9	H-24-17	8	Post Adjusting Set Screw
10	H-24-18	4	Post Mounting Screw Assembly with Flat Washer and Lock Washer
11	H-24-19	1	Right Upper Blade Bar Post
12	H-24-20	1	Left Upper Blade Bar Post
13	H-24-21	1	Upper Blade Bar Stiffener
14	H-24-22	1	Lower Blade Bar Frame

Note: See current product catalog for the following parts:

- No. H-24-3 Upper Blade
- No. H-24-4 Lower Blade
- No. H-2490 Adjustable Straight Gauge with Screw
- No. H-2445 Adjustable Combination Straight/45° Gauge with Screw
- No. H-24-5 Casters with Screws (4/set)



Beno J. Gundlach Company
 211 North 21st Street • P.O. Box 544
 Belleville, IL 62222 • U.S.A.
 TEL: 618 233-1781 • FAX: 618 233-3636
www.benogundlachco.com