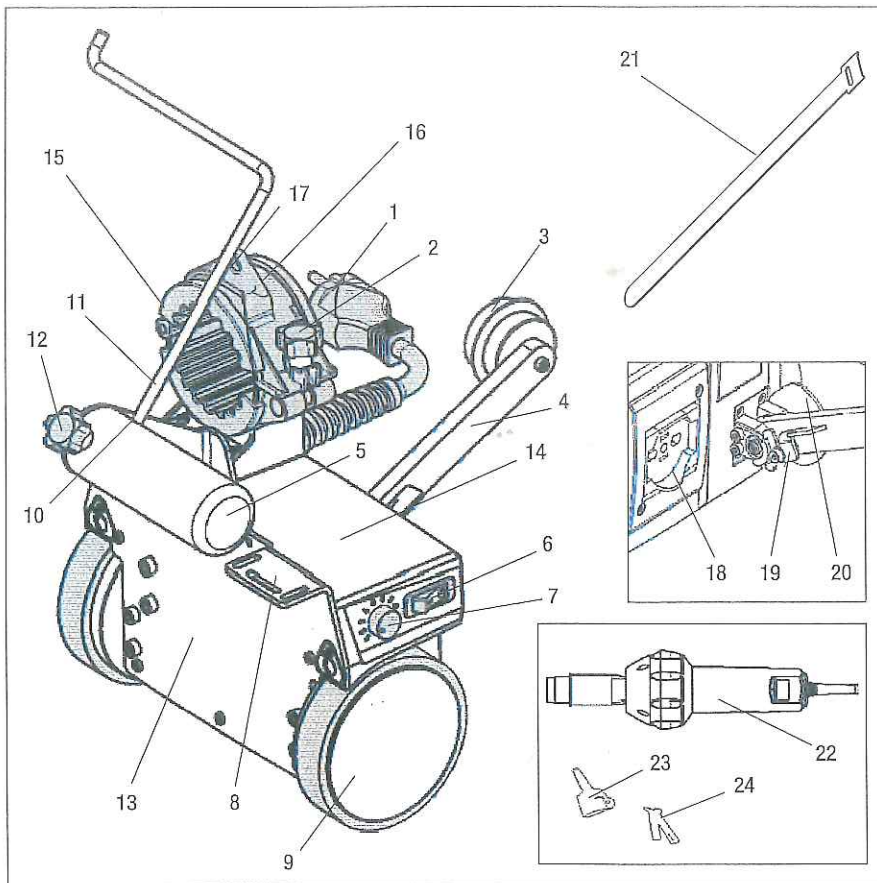


LEISTER – MINIFLOOR

Janser
PROFESSIONAL FLOORING TECHNOLOGY



Device description



1. Power supply cord
2. Clamping screw
3. Guide wheel
4. Guide arm
5. Carrying handle
6. Main switch
7. Drive potentiometer
8. Openings for cable attachments
9. Roller
10. Hole for unwinding device
11. Unwinding device
12. Clamping screw for unwinding device
13. Cover plate
14. Housing
15. Rubber band

16. Hot air hand tool clamping device
17. Lug for welding rod
18. Hot air hand tool outlet
19. Guide arm lock
20. Starting switch adjusting screw
21. Hook-and-loop fastener

Optional accessories (not included in the scope of delivery):

22. Hot air hand tool
23. 5 mm tubular nozzle
24. Rapid welding nozzle