

# 4



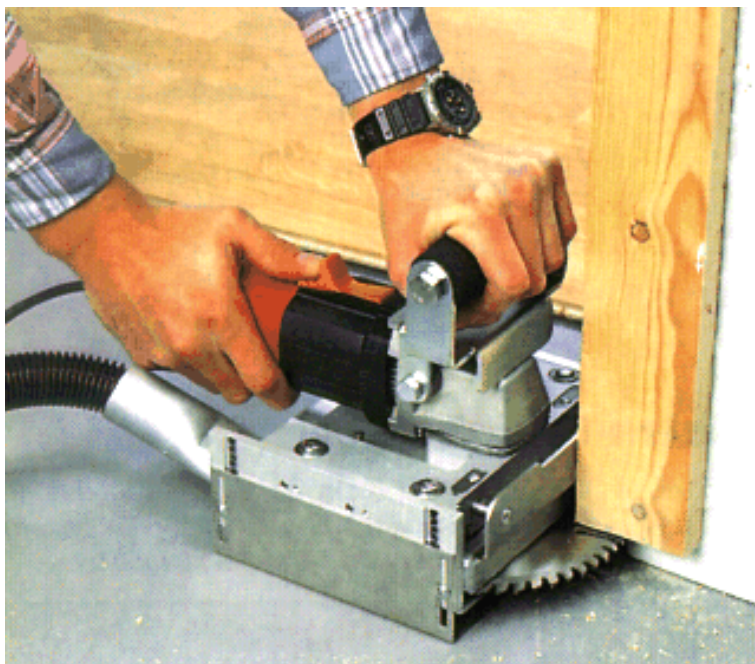
**PROGRAM 4**

*Laying, Sanding, Sealing of Parquet Floors*

# USERS MANUAL

## DOOR TRIMMER

<input type="checkbox"/>	Order -#	containing	electrical connection
<input type="checkbox"/>	228 855 900	HM - Saw Blade	230 Volt
<input type="checkbox"/>	228 855 950	HM - Saw Blade	120 Volt



**Janser**  
Manufacturers of machines & tools for the flooring industry

**Janser UK Limited** Coombs wood business park  
Coombs wood way, Halesowen  
GB-West Midlands, B62 8BH  
Tel: (0121)-561 5888 Fax (0121)-561 - 3330  
E-mail: sales@janser-uk.com Internet: www.janser.com



Chapter	Contents	Page
<b>1</b>	<b>Essential Security Instructions</b>	<b>2</b>
<b>2</b>	<b>Product Information</b>	<b>3</b>
2.1	Technical Explanation	
2.2	Technical Data	
2.3	Accessories	
2.4	Extras	
<b>3</b>	<b>Declaration of Conformity</b>	<b>4</b>
<b>4</b>	<b>Operation</b>	
4.1	Transport of the machine	5
4.2	Check before beginning	5
4.3	Adjusting the Height	6
4.4	Adjusting the Depth	7
4.5	Start-Up Procedures	8
4.6	Method of working	8+9
4.7	Changing the Blade	10
4.8	Cleaning and Maintenance	11
4.9	End of Work	11
<b>5</b>	<b>Spare Parts</b>	
5.1	Drawing	12
5.2	Part List	13

## 1 Essential Security Instructions

### 1.1 Remarks of the user instructions to be followed

- The knowledge of the essential security instructions is the basic prerequisite for the safe handling and trouble-free operation of these machines.
- These user instructions impart all important informations for a safe handling.
- All stated security informations have to be kept in when working with these machines.
- Furthermore the relevant regulations for the application areas as well as the accident control measures have to be kept in.

### 1.2 Commitment of the operator

- The operator commits himself that only qualified trained personnel is authorized to work with these machines in accordance with the relevant safety regulations of these user instructions.  
The safety-conscious working of the personnel has to be checked regularly.

### 1.3 Commitment of the personnel

- Everybody who has to work with these machines commits himself to keep in all essential regulations and working advices of these user instructions.

### 1.4 Risks with the usage of these machines

- The DOOR TRIMMER machines are being built according to the state-of-art and relevant safety regulations. Nevertheless there might be risks to life and limb when using them or rather impairments of the machines or other real values.  
These machines may only be used
  - for applications as directed
  - in a safe and perfect working condition
- Malfunctions endangering the safety have to be eliminated immediately.  
Only genuine spare parts may be used to guarantee a trouble-free functioning, long durability and accident control.

### 1.5 Application as directed

- The DOOR TRIMMER machines may only be used for sawing frames of wood doors, the door itself, the cutting of wooden wall panels, or for roots with chamfer.
- Any other application will be considered under non-warranty.
- The Janser Company takes no guarantee for all damages caused from this.
- Following all advices from the user instructions as well as meeting all inspections and maintenance works is part of the application as directed.

### 1.6 Warranty and liability

- Basically our General Sales and Delivery Conditions are effective which are available after conclusion of an agreement at the latest.  
Guarantee or liability claims for personal injuries and material damages are excluded when caused from the following
  - unauthorized application of the machines
  - inexpert assembling, operating, handling and maintaining of the machines
  - using the machines with defective safety appliances or not properly mounted or non-operative protecting apparatuses or preventing devices
  - non-compliance with the instructions of the user's manual concerning transport, storage, assembling, operating, handling, maintaining and set-up of the machines
  - unauthorized structural alterations
  - unauthorized changes of the technical details of the machines
  - unsatisfactory control of the working parts
  - inexpert repair works
  - emergencies by foreign-object damages or force majeure
- These user instructions are only for information and not object of the agreement.  
All stated data are only nominal values.  
The described equipment and options may differ according to the national standards.  
Technical subjects to change.

## 2 Produktinformation

### 2.1 Technical Explanation

The DOOR TRIMMER will help you for those saw-jobs that come up during the installation of floor coverings.

- For the distance to the wall when laying parquet floors.
- Now you can cut the door and the frame without taking off the hinges of the door.
- Precise down feed,- as a result of the four bearings.
- Height- and bit stop with a precise scale for the perfect cut
- The machine is equipped with a security-button for the prevention of accidents.
- The cushioned handle will give you the right grip to control the machine.
- The suction pipe enables you to connect a vacuum cleaner for working dust-free.
- The handy metal carrying case for the transportation to the job does also protect the machine.

### 2.2 Technical Data

Input circuit	:710 Watt / 120 Volt or 230 Volt
Saw blade	:Ø 165 mm (6 ½ ins.) x Height 3 mm (½ ins.) Rotations: 6500/min.
Setting range	Height 5 - 40 mm ( ? - 1 ½ ins.) Depth 0 - 50 mm ( 0 - 2 ins.)
Weight	7 kg (15 pounds) 11 kg ( 24 pounds) with metal carrying case
Noise Level	80 dB (A)
Input circuit	710 Watt / 120 Volt or 230 Volt

### 2.3 Accessories

Metal Carrying Case, Saw Blade, Hex Driver, Users Manual

### 2.4 Extras

Vacuum Cleaner DUSTCONTROL for the suction of sawdust  
Please ask for detailed information!

### 3 Declaration of Conformity

Deutsch

#### **Konformitätserklärung**

Wir erklären in alleiniger Verantwortung, daß dieses Produkt mit den folgenden Normen übereinstimmt: EN 292 gemäß den Bestimmungen der Richtlinien 89/392/EWG.

English

#### **Declaration of Conformity**

We declare under our sole responsibility that this product is in conformity with the following standards. EN 292 in accordance with the regulations 89/392/EEC.

Français

#### **Déclaration de conformité**

Nous déclarons sous notre propre responsabilité que ce produit est en conformité avec les normes suivant. EN 292 conforme aux réglementations 89/392/CEE.

Italiano

#### **Dichiarazione di conformità**

Dichiariamo, assumendo la piena responsabilità di tale dichiarazione, che il prodotto è conforme alle seguenti normative: EN 392 in base alle prescrizioni delle direttive CEE 89/392.

Español

#### **Declaración de conformidad**

Declaramos bajo nuestra sola responsabilidad que este producto está en conformidad con las normas siguientes. EN 292 de acuerdo con las regulaciones 89/392/CEE.

Portugues

#### **Declaração de confirmidade**

Declaramos sob nossa exclusiva responsabilidade que este producto cumpre as seguintes normas: EN 292 conforme as disposições das directivas 89/392/CEE.

Nederlands

#### **Konformiteitsverklaring**

Wij verklaren dat dit produkt voldoet aan de volgende normen: EN 292 overeenkomstig de bepalingen van de richtlijnen 89/392/EEG.

Svensk

#### **Försäkran**

Vi intygar och ansvarar för, att denna produkt överensstämmer med följande norm EN 292 enl. bestämmelser och riktlinjerna 89/392/EWG.

Dansk

#### **Konformitetserklæring**

Vi erklærer under almindeligt ansvar, at dette produkt er i overensstemmelse med følgende normer EN 292 i henhold til bestemmelserne i direktiverne 89/392/EØF.

Suomeksi

#### **Todistus standardinmukaisuudesta**

Todistamme täten ja vastaamme yksin siitä, että nämä tuote en alluueteltujen standardien vaatimusten mukainen EN 292 seuraavien sääntöjen mukaisesti: 89/392/EWG

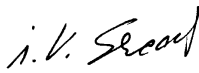
Norsk

#### **Erklæring av ansvarsforhold**

Vi erklærer at det er under vårt ansvar at dette produkt er i overenstemmelse med følgende standarder. EN 292 i samsvar med reguleringer 89/392/EWG.



ppa. W.Müller



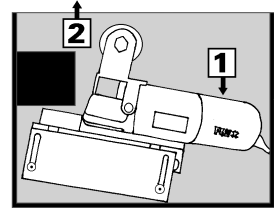
i.V. H.Serediuk

## 4 Operation

### 4.1 Transport of the machine

To take the machine out of the carrying case please look at the drawing inside the case.

- 1 Press down the body of the machine first,
- 2 before lifting it out on the cushioned handle



For transportation in the carrying case please reset  
-> the HEIGHT of the blade (machine) to the MINIMUM  
-> the DEPTH guide to the MAXIMUM

### 4.2 Check before beginning

1. Check the machine, cable and plug to avoid working with a damaged machine



**Do not use damaged components!**  
**Have an authorised expert to repair the machine particular the electric equipment! Only use ORIGINAL SPARE PARTS!**

2. Adjust the working height (4.3) and depth (4.4)
3. Always wear safety mask and goggles



**Pay attention that the saw dust is not injurious to health!**

4. Connect power supply.



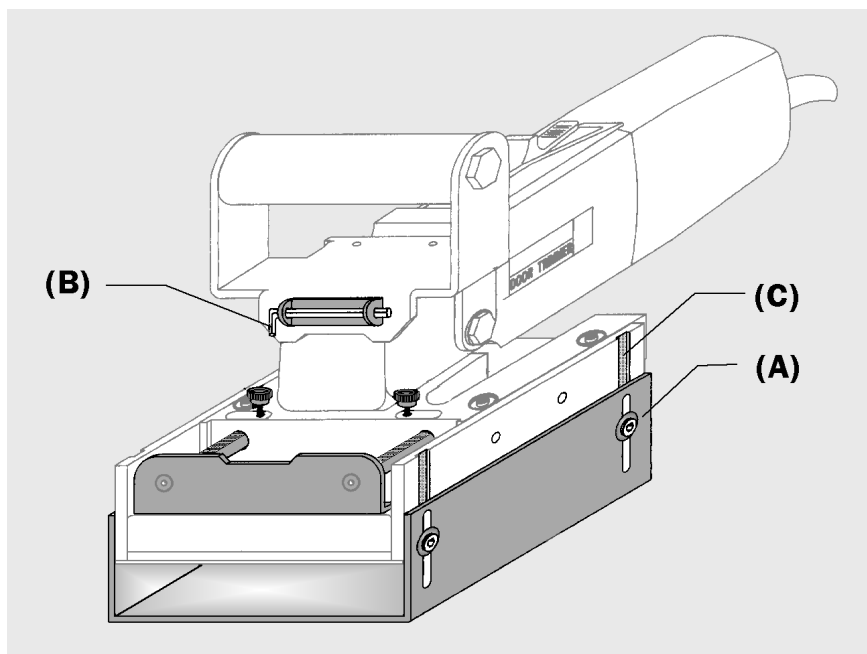
**This machine only works with the voltage and frequency shown on the machine plate. Please check before connecting!**

## 4 Operation

### 4.3 Adjusting the Height



**Before adjusting jobs always pull-out the mains plug!**



1. To adjust the height please loosen the four screws (A) with the hex driver (B)
2. Set the height at the scales (C) for the required cut.
3. Then tighten all of the four screws.



**When working without any height adjustments, your height is 5 mm (3/8 ins.)**

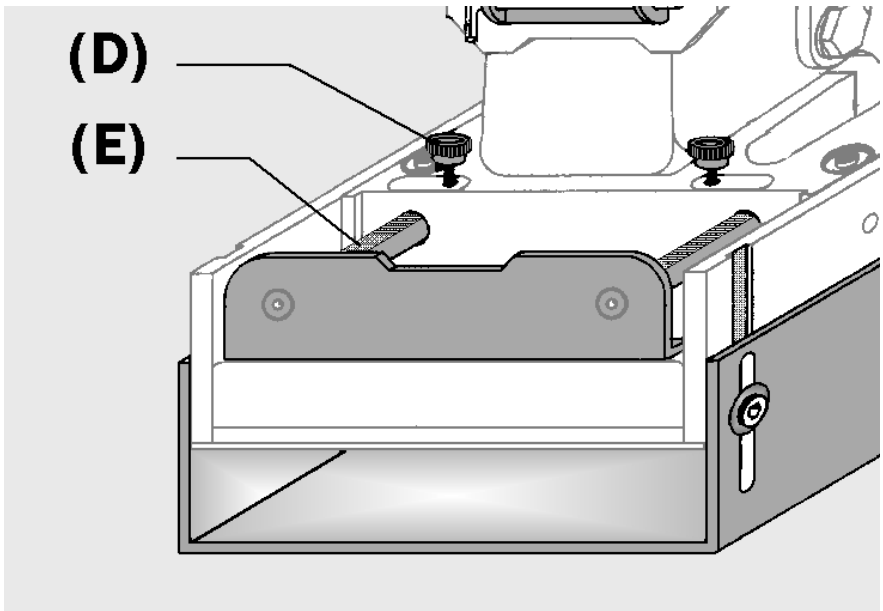


## 4 Operation

### 4.4 Adjusting the Depth



**Before adjusting jobs always pull-out the mains plug!**



1. Loosen the two screws (D) at the top side of the guard
2. Set the required depth at the scale (E).



**When working without any depth adjustments,  
your depth of the cut will be 52 mm (2 ins.)**

## 4 Bedienung

### 4.5 Start-Up Procedures



Folgende Hinweise beim Betreiben des Gerätes einhalten:

**Exposing the machine to water or rain leads to a risk of electrocution.**

**Keep the machine in a dry building!**

**Always use the machine in a well-ventilated area!**

**Disconnect the power line before carrying out any maintenance work, repairs or until breaks!**

**Keep the power supply cable behind the machine!**

**Never leave the machine unattended with power line connection.**

**Sawing wooden floors may lead to an explosive environment.**

**Sources of fire must be completely removed from the working area!**

**In case of blockade of the saw blade switch of the machine immediately. Check the machine before go on working.**

### 4.6 Method of Working

#### 1. Holding

Please hold the DOOR TRIMMER with one hand on the cushioned handle and the other one on the motor-body



**Always hold the DOOR TRIMMER with two hands !**

**Always leave the DOOR TRIMMER on the ground !**

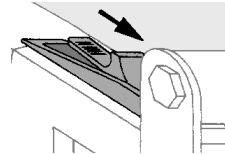
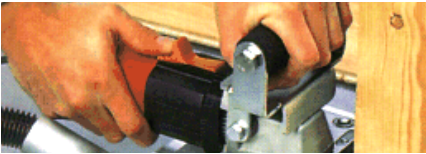
**Never tip, tilt, or lean the machine in angles !**

## 4 Operation

### 4.6 Method of Working

#### 2. Switch on

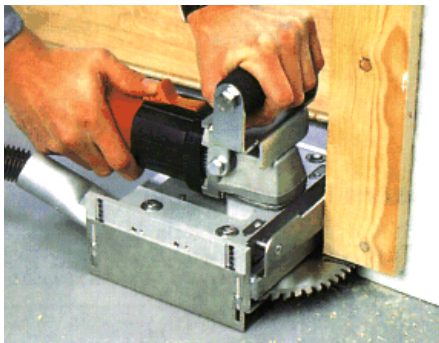
Press the switch with your hand on the machine body



The machine only runs until you press the button with your thumb.

#### 3. Sawing

Guide the machine with two hands along the edge that has to be cut.



#### **ACCIDENT PREVENTION !!**

**When cutting doors, make sure that the door does not vibrate excessively. Always close the door or have a second person to hold it !**

## 4 Operation

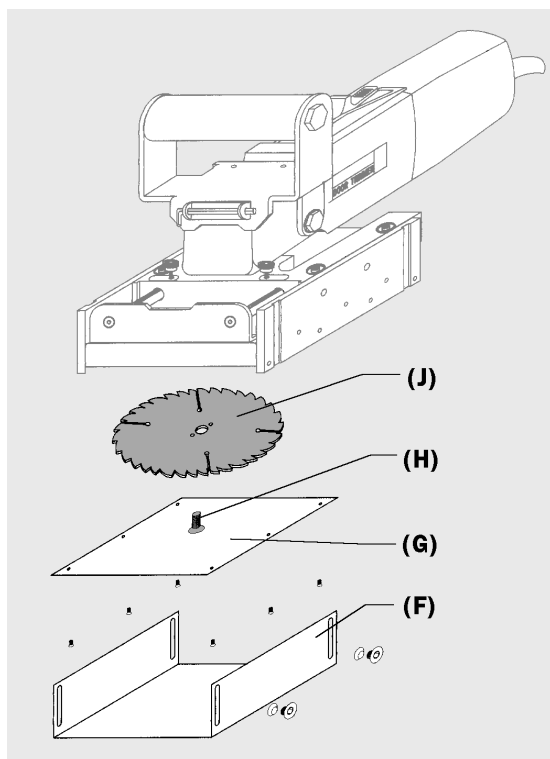
### 4.7 Changing the Blade



**Before changing the blade always pull out the mains plug !**

**Never run the machine without the guard plate !**

**Remove the guard plate only for changing the blade !**



Remove the height adjustment plate (F) and the ground plate (G).  
Loosen the screw (H) with the hex driver, change the saw blade (J), and  
tighten the screw.



**Right-rotating direction ! Please see the arrow on the motor ! Maximal  
Blade dimensions: Ø 165 mm (6½ ins.) height 3mm (¼ ins.)**

## 4 Operation

### 4.8 Cleaning and Maintenance

There is no maintenance, except the cleaning of saw dust every now and then.

Change the blade in case of bad cutting quality



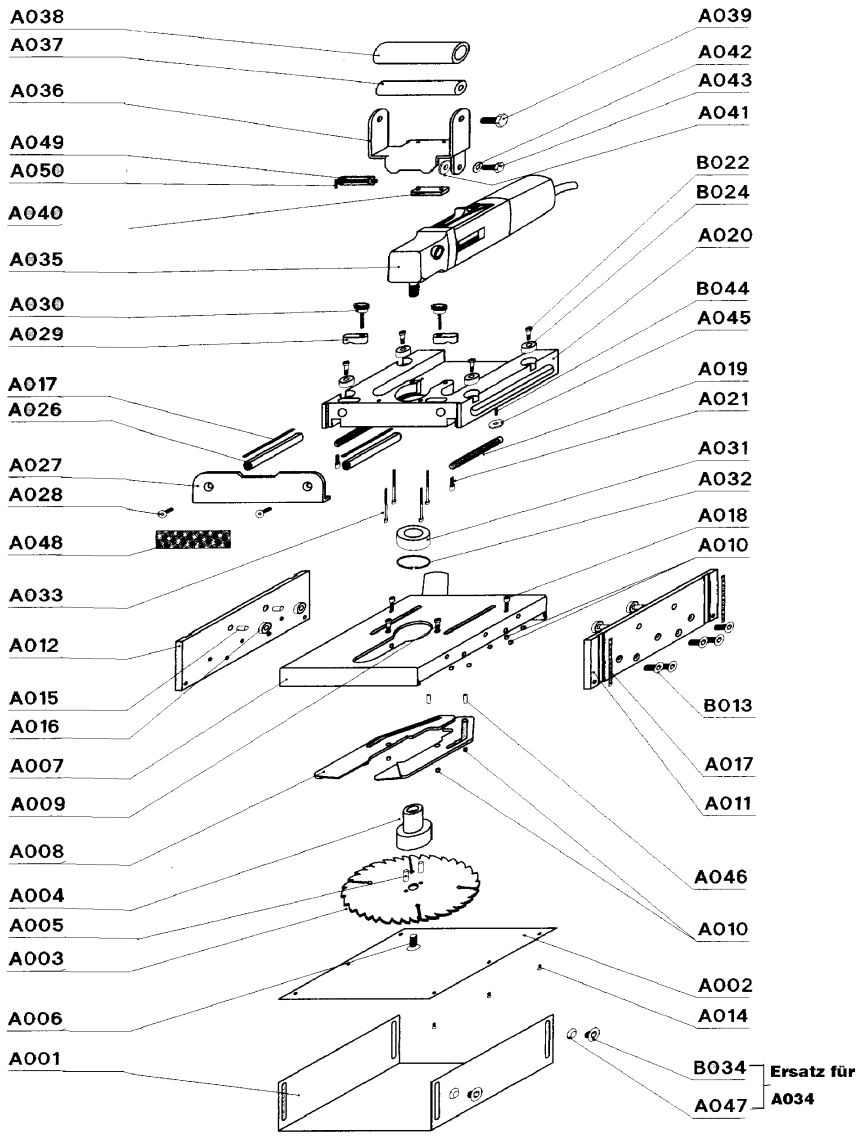
**For working on the machine when changing the blade or cleaning it, always unplug the machine. Repairing can only be made by experts !**

### 4.9 End of work

Do not pull-out the mains plug at the cable!

Gerät für Kinder nicht erreichbar und trocken lagern, !

**5 Spare Parts**



### 5 Spare Parts

Pos.		Description	Dimensions	Norm	Order-No.
A001	1	height stop			228 855 003
A002	1	base plate			228 855 002
A003	1	saw blade material HM	Ø 165 mm, Z= 48		228 850 002
		saw blade material CV	Ø 165 mm, Z=112		228 855 500
A004	1	spindle			228 855 006
A005	2	parallel Pin	6h8x10		020 006 010
A006	1	countersunk head screw	M8x16	DIN 7991	007 208 016
A007	1	bearer			228 855 021
A008	2	protection plate			228 855 024
A009	2	pan head screw	M4x6	DIN 923	004 404 017
A010	14	nut (selv-locking)	M4	DIN 985	012 300 004
A011	1	slider - left			228 855 011
A012	1	slider -right			228 855 013
A014	6	countersunk head screw	M3x5	DIN 965	005 503 005
A015	4	parallel pin	5h8x10	DIN 7	020 005 010
A016	4	ball bearing	5x13x4	695-ZZ	050 202 033
A017	6	scale			228 855 019
A018	2	pan head screw	M4x6	DIN 923	004 404 017
A019	2	tension spring			228 855 008
A020	1	ground plate			228 855 015
A021	2	hexagon socket head cap screw	M5x10	DIN 912	004 005 010
A026	2	depth-stop pin			228 855 005
A027	1	depth-stop plate			228 855 004
A028	2	countersunk head screw	M5x10	DIN 7991	007 205 010
A029	2	terminal strip			228 855 009
A030	2	screw with plastic head	M4x16		228 855 028
A031	1	ball bearing	25x47x12	6005-ZZ	050 202 043
A032	1	locking ring	47x1,75	DIN 472	017 000 471
A033	4	hexagon socket head cap screw	M4x40	DIN 912	004 004 040
A035	1	right angle grinder 230 V		SM1106T	228 855 100
		right angle grinder 110 V		SM1106T	228 855 810
A036	1	handle			228 855 051
A037	1	handle-grip -plastic			111 112 024
A038	1	cushioned grip			237 101 020
A039	2	hexagon head screw	M10x20	DIN 933	004 610 020
A040	1	distance plate			111 112 022
A041	2	washer			111 112 001
A042	2	spring washer	A8	DIN 137	016 800 081
A043	2	hexagon head screw	M8x20	DIN 933	004 608 020
A045	2	washer	A4,3	DIN 9021	016 400 004
A046	2	tube			228 855 027
A047	4	rose			228 855 029
A048	1	fleece			464 081 004
A049	1	holder for allenwrench			228 855 030
A050	1	allenwrench			080 000 102
B013	10	countersunk head screw	M4x16	DIN 7991	007 204 016
B022	4	pan head screw	M5x6	DIN 923	004 405 017
B024	4	ball bearing	7x19x6	607-ZZ	050 202 004
B034	4	countersunk head screw	M4x10	DIN 7991	007 204 010
B044	2	raised head screw	M4x30	DIN 7985	006 804 030